

max TX™ SERIES

Model TX-AT1S

Audio Isolation Transformer

ANYWHERE YOU NEED...

- Studio Quality Audio Transformer
- Bifilar Winding, Nickel Alloy Core
- Protection for Inputs and Outputs
- Transient and RF Suppression
- Barrier Block Transformer Connections
- Galvanic Isolation
- 1:1 Transformer Coupling
- Transformer to Drive 600 Ohm Line
- Convenience of RDL TXs



You Need The TX-AT1S!

The TX-AT1S is part of the group of versatile Max-TX series products from Radio Design Labs. Max-TX modules are the large format members of the RDL TX family, featuring the superior engineering and components common to RDL products. The durable adhesives provided with the TX-AT1S permit permanent or removable mounting. The TX-AT1S may be rack or surface mounted with optional TX series accessories.

APPLICATION: The TX-AT1S is the ideal choice in many applications requiring studio quality transformer coupling between balanced audio equipment and a balanced line in environments where harmful impulses and unwanted rf pickup are likely.

The TX-AT1S is a single-channel (mono) module featuring barrier block connections for the input and output. A studio-quality audio transformer couples the audio input to the audio output. A common ground terminal is connected to the TX-AT1S metal support structure. The TX-AT1S incorporates the latest in surface mount, all solid-state (no gas tube), transient suppression technology coupled with ferrite high frequency suppression.

A 1:1 audio transformer provides galvanic isolation. The audio transformer has 600 Ohm primary and secondary bifilar windings, though is optimized to be driven from a low-impedance source into a bridging load. The primary and/or secondary may be wired unbalanced, providing conversion between balanced and unbalanced audio lines. The TX-AT1S delivers the wideband audio, ultra-low distortion, audio clarity and headroom common to studio equipment in a module suited to both studio and general-purpose audio installations.

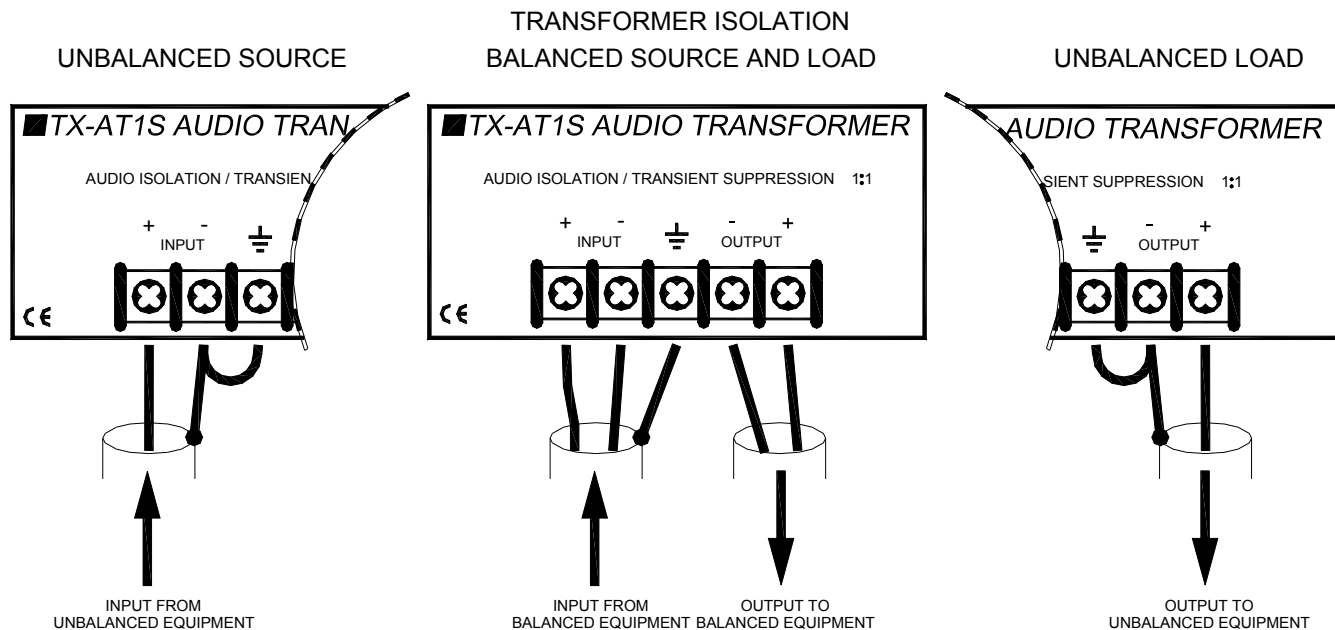
The TX-AT1S's compact size permits mounting in a variety of spaces and in various locations in equipment racks. The TX-AT1S may be mounted where needed, to rack sides or in an equipment rack (either the front or rear rack rails) using a variety of available RDL mounting options. Use the TX-AT1S individually, or combine it with other RDL products as part of a complete audio/video system.

max TX™ SERIES
Model TX-AT1S
Audio Isolation Transformer

Installation/Operation



EN55103-1 E1-E5; EN55103-2 E1-E4
Typical Performance reflects product at publication time exclusive of EMC data, if any, supplied with product. Specifications are subject to change without notice.



TYPICAL PERFORMANCE

Input Connector:

Input Level:

Output Connector:

Output Level:

Impedance Ratio:

Turns Ratio:

Core:

Frequency Response:

THD:

Insertion Loss:

CMRR:

Maximum interference signal:

HV switch clamp:

Transient energy:

Power Requirement:

Overall Dimensions:

EMC:

Barrier block

+4 dBu; +22 dBu maximum

Barrier block

+4 dBu (less insertion loss)

600: 600

1: 1

Nickel alloy

20 Hz to 20 kHz (+/- 0.1 dB)

<0.035% (50 Hz to 20 kHz, +4 dBu input)

0.001% (Typ. 1 kHz, +4 dBu input)

0.09% (Typ. 20Hz, +4 dBu input)

0.25 dB (20 Ω source; 10 kΩ load)

2 dB (20 Ω source; 600 Ω load)

>85 dB (balanced input, 50 to 60 Hz)

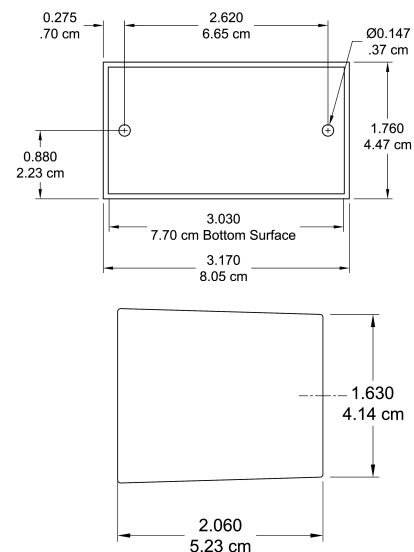
30 Vp, 60 Vp-p

24 V actuation; 48 V maximum clamp

0.1 joule

Passive

3.17" (8.05 cm) W; 1.76" (4.47 cm) H; 2.06" (5.23 cm) D



Safety Instructions/Consignes de sécurité/
Instrucciones de seguridad/Sicherheitshinweise:



EU Importer:
Importateur de l'UE:
Importador de la UE:
EU-Importeur:

RDL Europe B.V.
Joan Muyskenweg 124
1114 AN Amsterdam